



**The Dolomite Centre Ltd**  
 Unit 1, Anglian Business Park, Orchard Road,  
 Royston, Hertfordshire, SG8 5TW, UK

**T:** +44 (0)1763 242491  
**F:** +44 (0)1763 246125  
**E:** sales@dolomite-microfluidics.com  
**W:** www.dolomite-microfluidics.com

**Dolomite Microfluidics – North America Office**  
 Blacktrace Inc, 29 Albion Place  
 Charlestown, MA 02129, USA

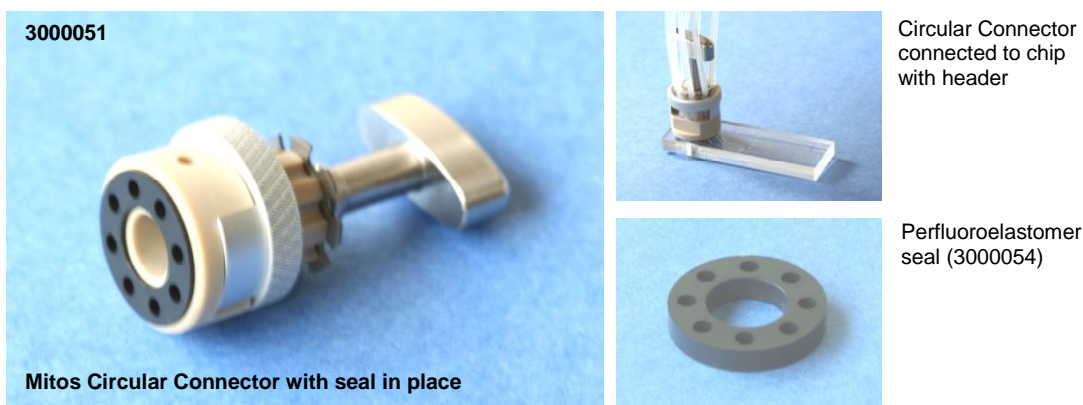
**C:** 617 803 6655  
**T:** 617 848 1121  
**F:** 617 500 0136  
**E:** salesus@dolomite-microfluidics.com

# INFORMATION SHEET

Part name	Mitos Circular Connector 8-way	Part number	3000051
-----------	--------------------------------	-------------	---------

## Description

The Mitos Circular Connector allows fast and reliable connection between Dolomite chips and 1.6mm tubing. The Circular Connector works with chips that are 2-4mm thick and also have a location pin in place. This is shown in the diagram below:

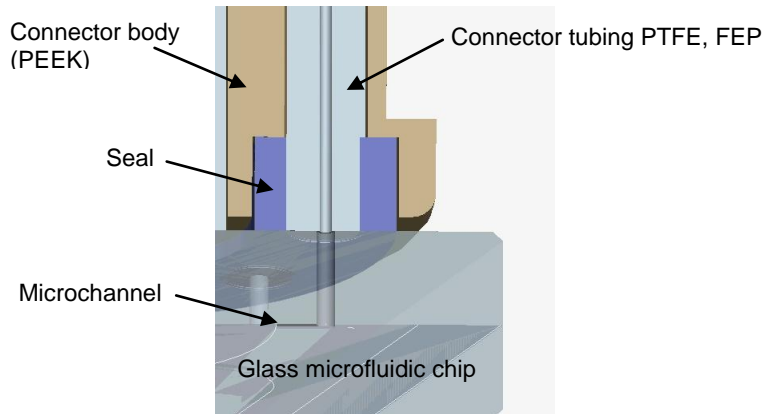


## Benefits

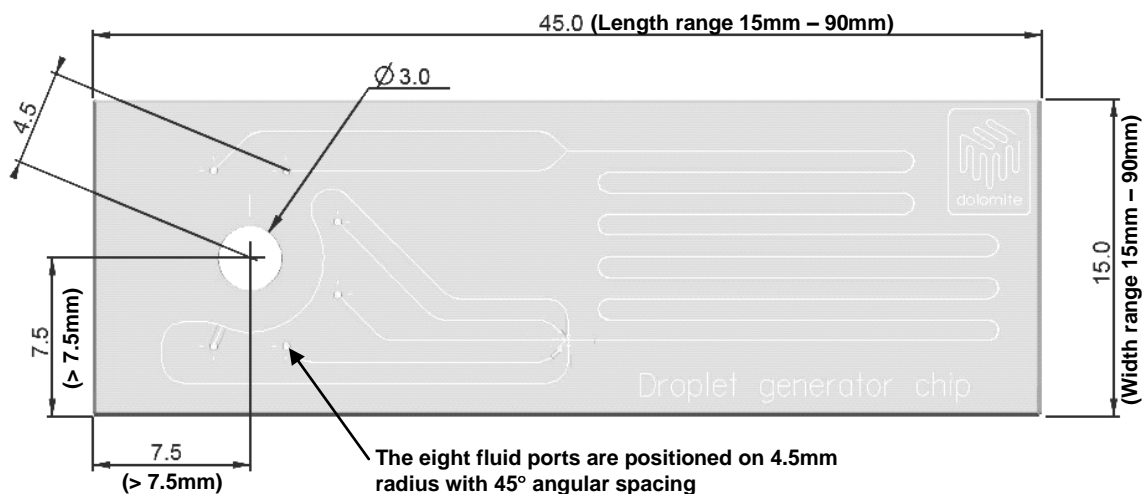
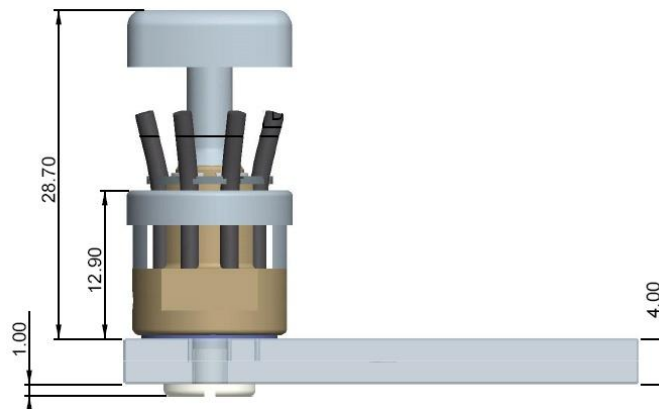
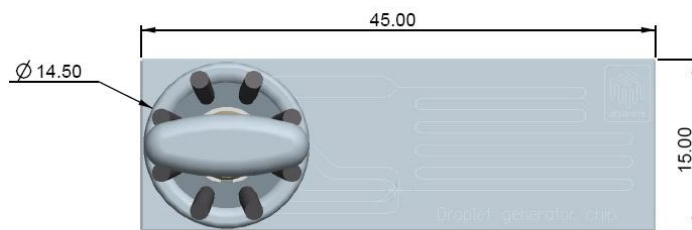
- Compact
- Automatic alignment
- Low dead volume
- Quick connect/disconnect
- Wide temperature and pressure range
- Low cost
- Excellent chemical compatibility

	<b>Circular connector specification</b>	<b>Value</b>
<b>1</b>	Number of ports	8
<b>2</b>	Chip thickness options	2-4 mm
<b>3</b>	Chip width options	>12 mm
<b>4</b>	Chip length options	12 mm – 90 mm
<b>5</b>	Outside diameter of connection tubing	1.6 mm (1/16 inch)
<b>6</b>	Inside diameter of connection tubing	0.25 mm, 0.5 mm, 0.8 mm
<b>7</b>	Connection tubing material	PTFE, FEP
<b>8</b>	Operating pressure	20 Bar
<b>9</b>	Operating temperature range of seal	-15 to 250 °C
<b>10</b>	Wetted materials	Glass, PTFE, and perfluoroelastomer
<b>11</b>	Connector materials	PEEK, Stainless Steel 316
<b>12</b>	Dead volume	< 0.3 µl per port

### Cross-sectional view of sealing interface



### Circular connector geometry (with 45mm long chip)



The eight fluid ports are positioned on 4.5mm radius with 45° angular spacing

Hole diameter is typically 380µm (the connector will work with larger holes sizes)