



The Dolomite Centre Ltd.
Unit 1, Anglian Business Park, Orchard Road,
Royston, Hertfordshire, SG8 5TW, UK

T: +44 (0)1763 242491
F: +44 (0)1763 246125
E: dolomitesales@syrris.com
W: www.dolomite-centre.com

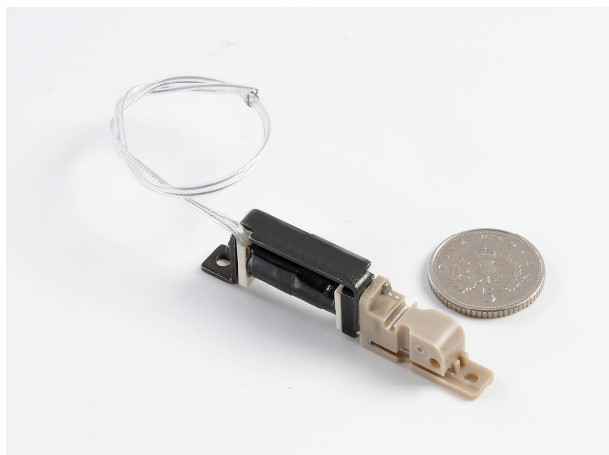
The Dolomite Centre Limited
Registered office: 27 Jarman Way,
Royston, Hertfordshire, SG8 5HW, UK
Company No. 05640084

INFORMATION SHEET

Part name	Miniature isolation solenoid valve	Part number	3000177 3000178
-----------	------------------------------------	-------------	--------------------

Description

The miniature isolation solenoid valve has a slim 6 mm wide design enabling valves to be mounted in a small space. This keeps the flow path length small. A series of these valves can be connected together using the through holes provided in the valve body for easy manifolding. The low internal volume of 10 μ l (each port) makes these valves well-suited for microfluidics. The perfluoroelastomer diaphragm and PEEK body ensure that the fluid only comes into contact with inert materials.



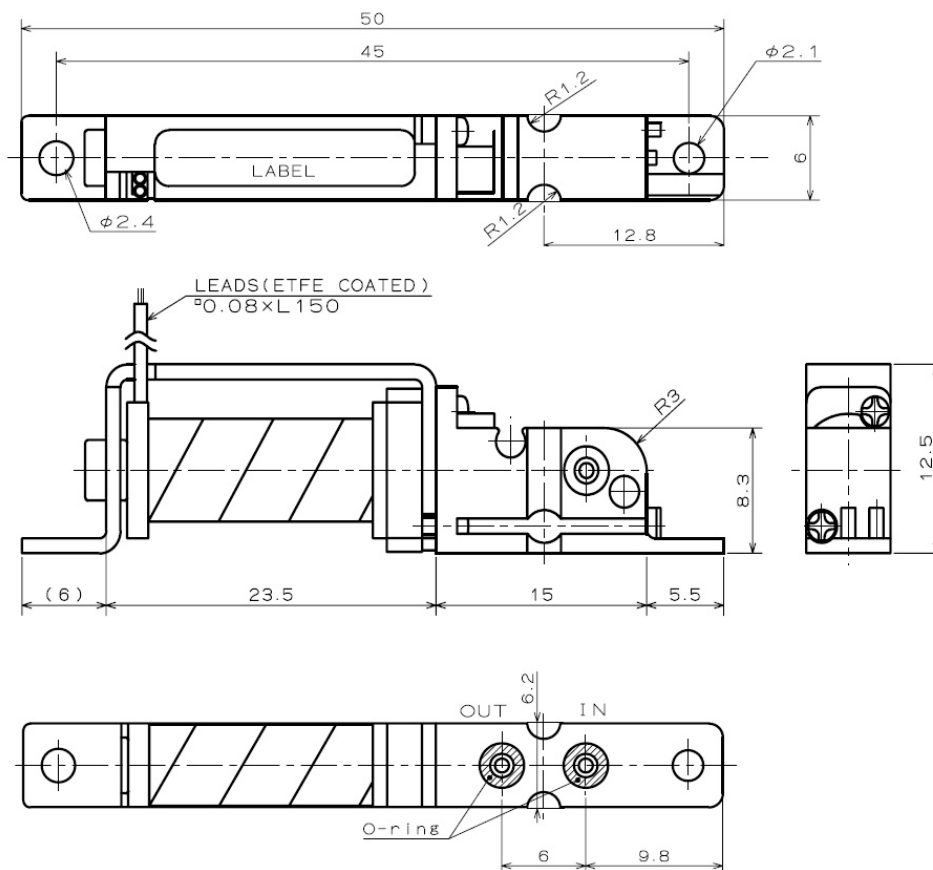
3000177 Miniature isolation solenoid valve

Benefits

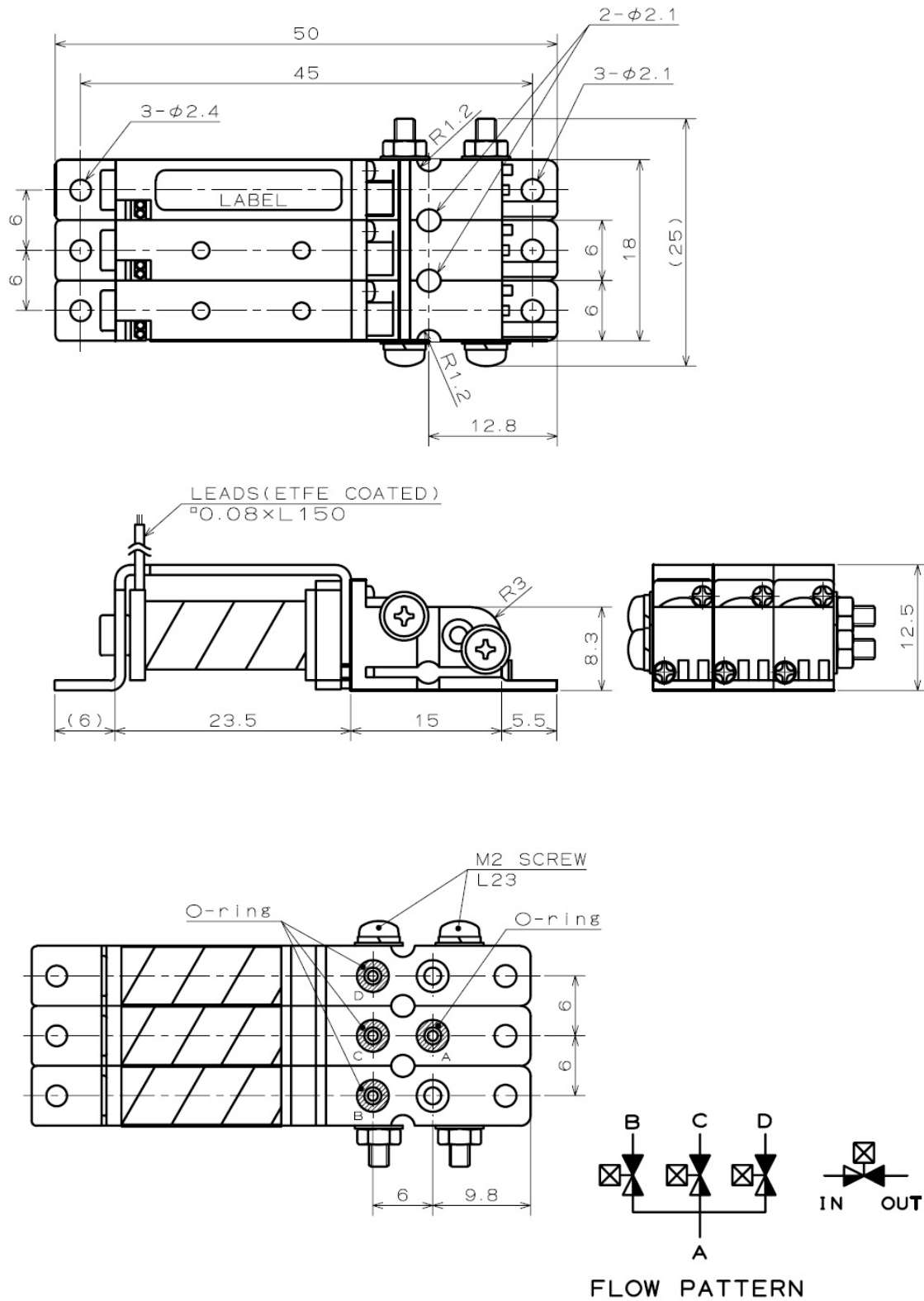
- Miniature size
- Low internal volume
- Easy to create manifolds by linking valves together
- Excellent chemical resistance (wetted materials PEEK and perfluoroelastomer)
- Pressure range up to 1 bar
- Continuous duty
- Available in 24V and 12V versions
- Light weight
- Ideal for integration into microfluidic systems

	Miniature valve specification	3000177	3000178
1	Valve Type	2-way N.C. (normally closed)	
2	Orifice Diameter	0.8 mm	
3	Port Connection	O-ring seal	
4	Internal Volume	IN: 10 µl, OUT: 10 µl TOTAL: 20 µl	
5	Operating Pressure Range	IN: 0 – 1 bar OUT: 0 – 0.5 bar (max. supply pressure on OUT port)	
6	Compatible Fluids	All fluids compatible with PEEK & perfluoroelastomer Fluids free of particulate	
7	Fluid Temp. Range	0 – 50 °C	
8	Ambient Temp. Range	0 – 40 °C	
9	Voltage	24V DC	12V DC
10	Power	1.8 W	
11	Duty Cycle	Continuous duty	
12	Coil Temp. Increase	Max 90 °C from ambient temperature	
13	Insulation Class	Class B	
14	Dielectric Strength	1500VAC for 60s	
15	Weight	8g	
16	Diaphragm Material	Perfluoroelastomer	
17	O-ring Material	Perfluoroelastomer	
18	Body Material	PEEK	

Geometry



3000177 / 3000178 Dimensions



**Example of 3 valves linked together to create manifold
(custom configuration available on request)**