



The Dolomite Centre Ltd.
Unit 1, Anglian Business Park, Orchard Road,
Royston, Hertfordshire, SG8 5TW, UK

T: +44 (0)1763 242491
F: +44 (0)1763 246125
E: dolomitesales@syrris.com
W: www.dolomite-centre.com

The Dolomite Centre Limited
Registered office: 27 Jarman Way,
Royston, Hertfordshire, SG8 5HW, UK
Company No. 05640084

INFORMATION SHEET

| | | | |
|-----------|--------------------------|-------------|--------------------|
| Part name | Isolation solenoid valve | Part number | 3000179 3000180 |
|-----------|--------------------------|-------------|--------------------|

Description

The isolation solenoid valve is designed for use with a wide range of media. The perfluoroelastomer diaphragm and PEEK body ensure that the fluid only comes into contact with inert materials. The low internal volume of 4 μl (IN port) and 25 μl (OUT port) makes these valves well-suited for microfluidics. These valves can be used up to a pressure of 2 bar.



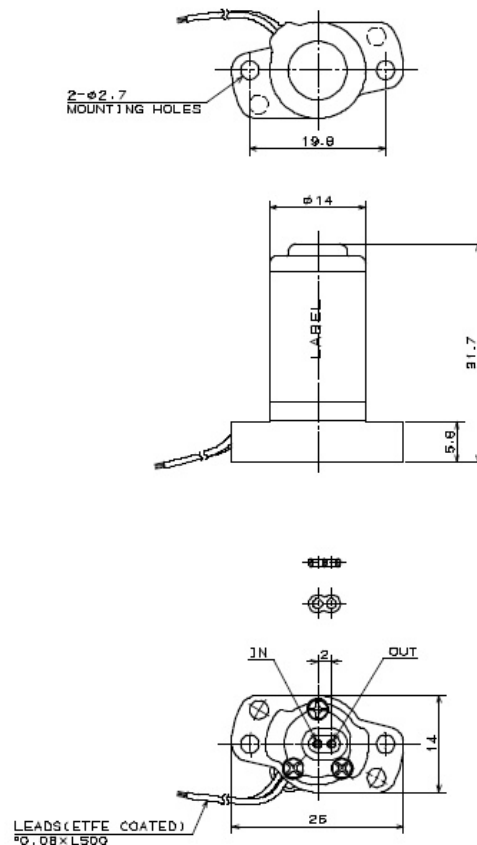
3000179 Isolation solenoid valve

Benefits

- Compact size
- Low internal volume
- Excellent chemical resistance (wetted materials PEEK and perfluoroelastomer)
- Pressure range up to 2 bar
- Continuous duty
- Available in 24V and 12V versions
- High temperature operation
- Ideal for integration into microfluidic systems

| | Isolation solenoid valve specification | 3000179 | 3000180 |
|----|--|--|---------|
| 1 | Valve Type | 2-way N.C. | |
| 2 | Orifice Diameter | 1.0 mm | |
| 3 | Port Connection | Gasket seal | |
| 4 | Internal Volume | IN: 4 µl, OUT: 25 µl TOTAL: 29 µl | |
| 5 | Operating Pressure Range | IN: -0.2 – 2 bar OUT: -0.5 – 2 bar (supply pressure on OUT port) | |
| 6 | Compatible Fluids | All fluids compatible with PEEK & perfluoroelastomer Fluids free of particulate | |
| 7 | Fluid Temp. Range | 0 – 40 °C | |
| 8 | Ambient Temp. Range | 0 – 40 °C | |
| 9 | Voltage | 24V DC | 12V DC |
| 10 | Power | 2.8 W | |
| 11 | Duty Cycle | Continuous duty | |
| 12 | Coil Temp. Increase | Max 110 °C from ambient temperature | |
| 13 | Insulation Class | Class F | |
| 14 | Dielectric Strength | 1500VAC for 60s | |
| 15 | Weight | 23g | |
| 16 | Diaphragm Material | Perfluoroelastomer | |
| 17 | Gasket Material | Perfluoroelastomer | |
| 18 | Body Material | PEEK | |

Geometry



3000179 / 3000180 Dimensions